

● Tranzystory JFET i MOSFET.

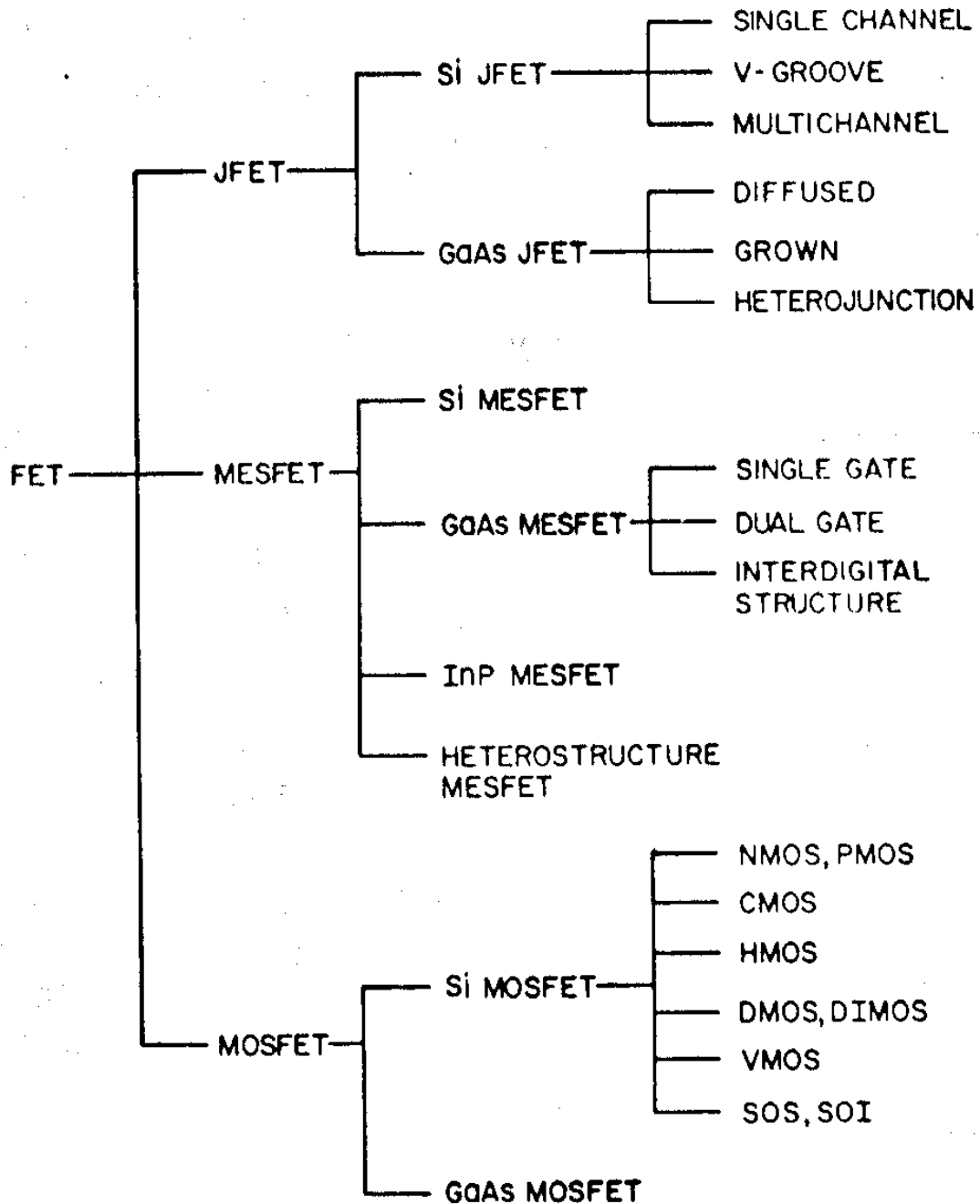


Fig. 1 Family tree of field-effect transistors.

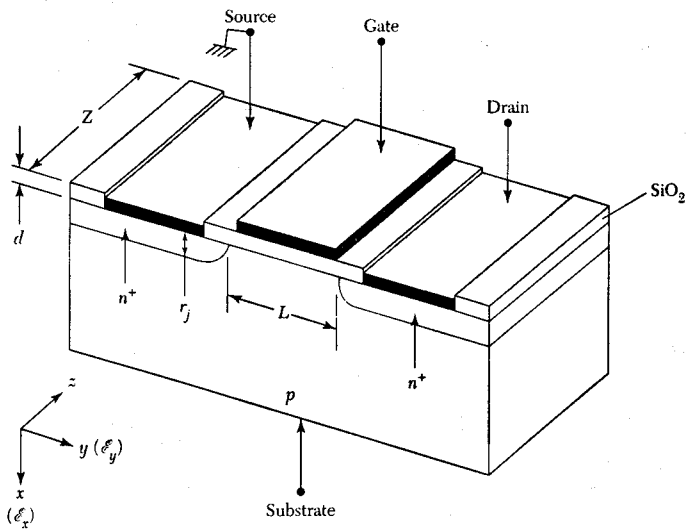


Fig. 14 Perspective view of a metal-oxide-semiconductor field-effect transistor (MOSFET).

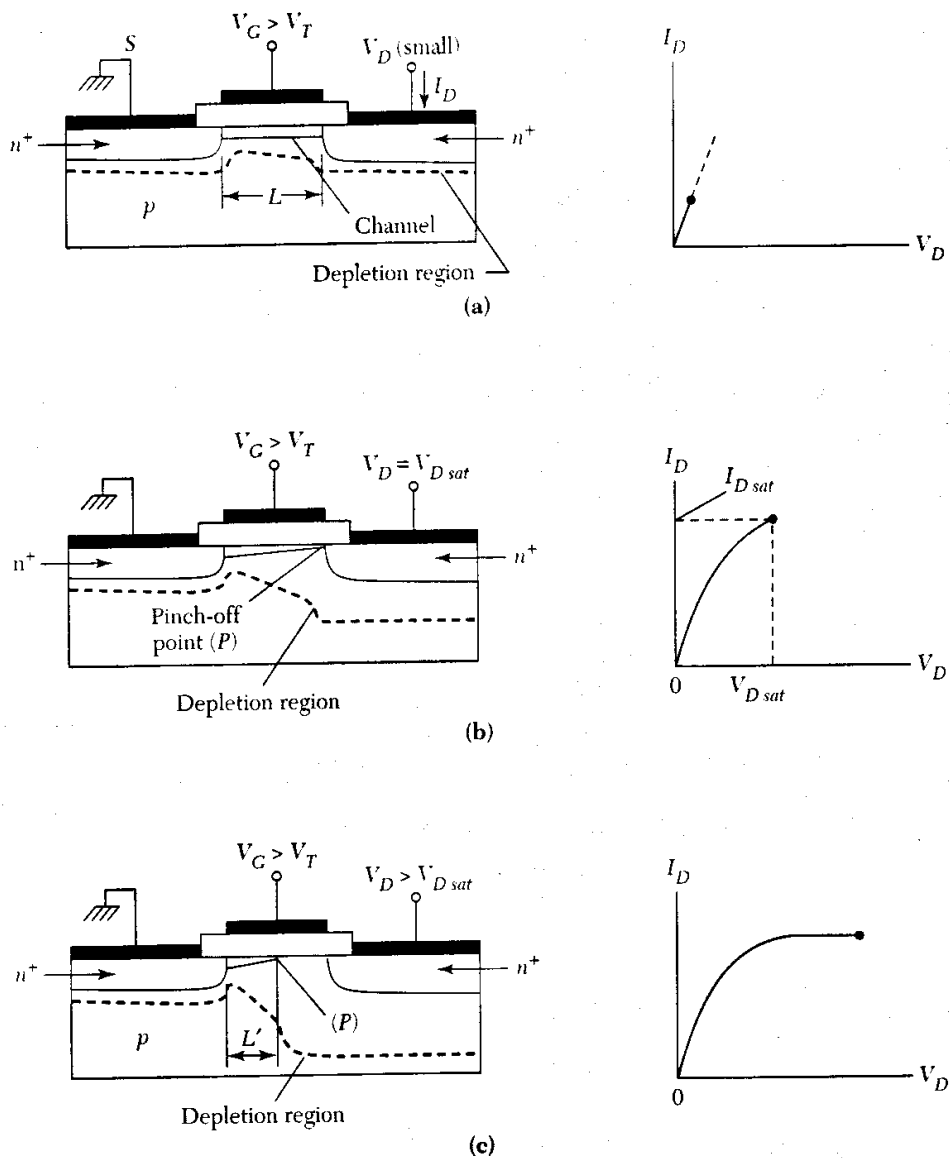


Fig. 15 Operations of the MOSFET and output I - V characteristics. (a) Low drain voltage. (b) Onset of saturation. Point P indicates the pinch-off point. (c) Beyond saturation.

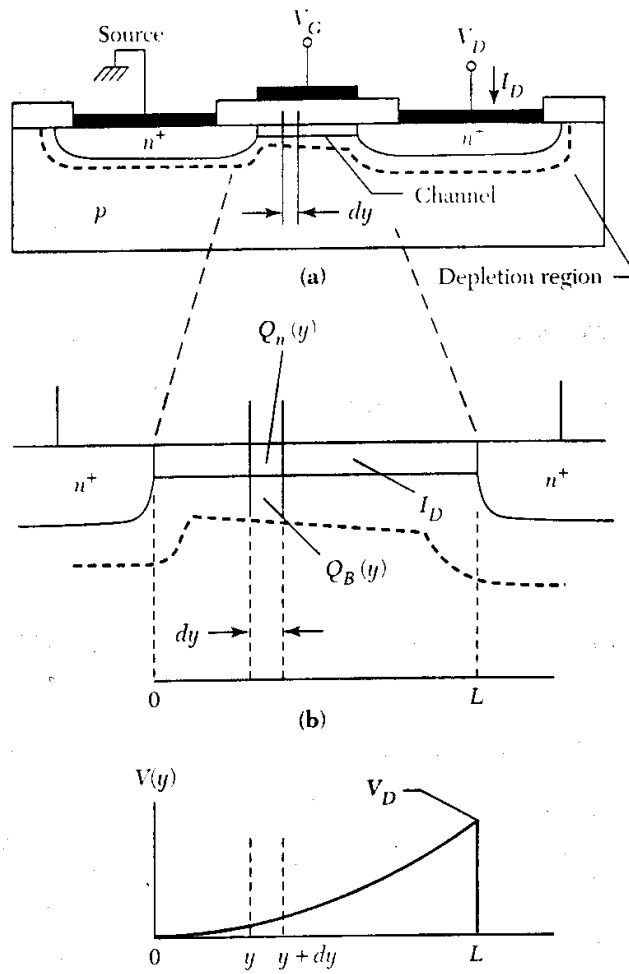


Fig. 16 (a) MOSFET voltage drop along the c

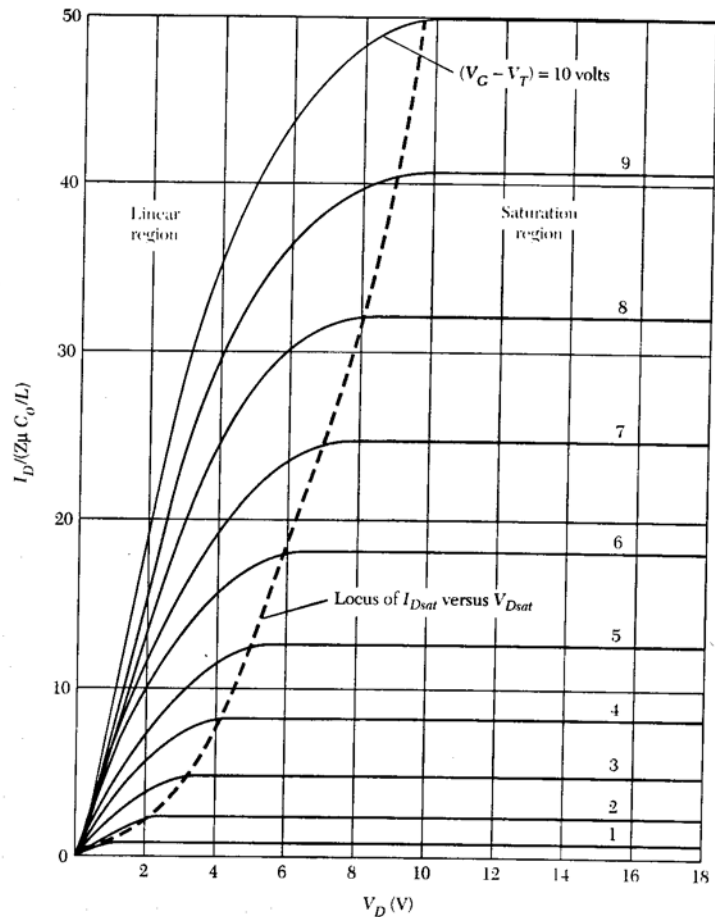


Fig. 17 Idealized drain characteristics of a MOSFET. For $V_D \geq V_{Dsat}$, the drain current remains constant.

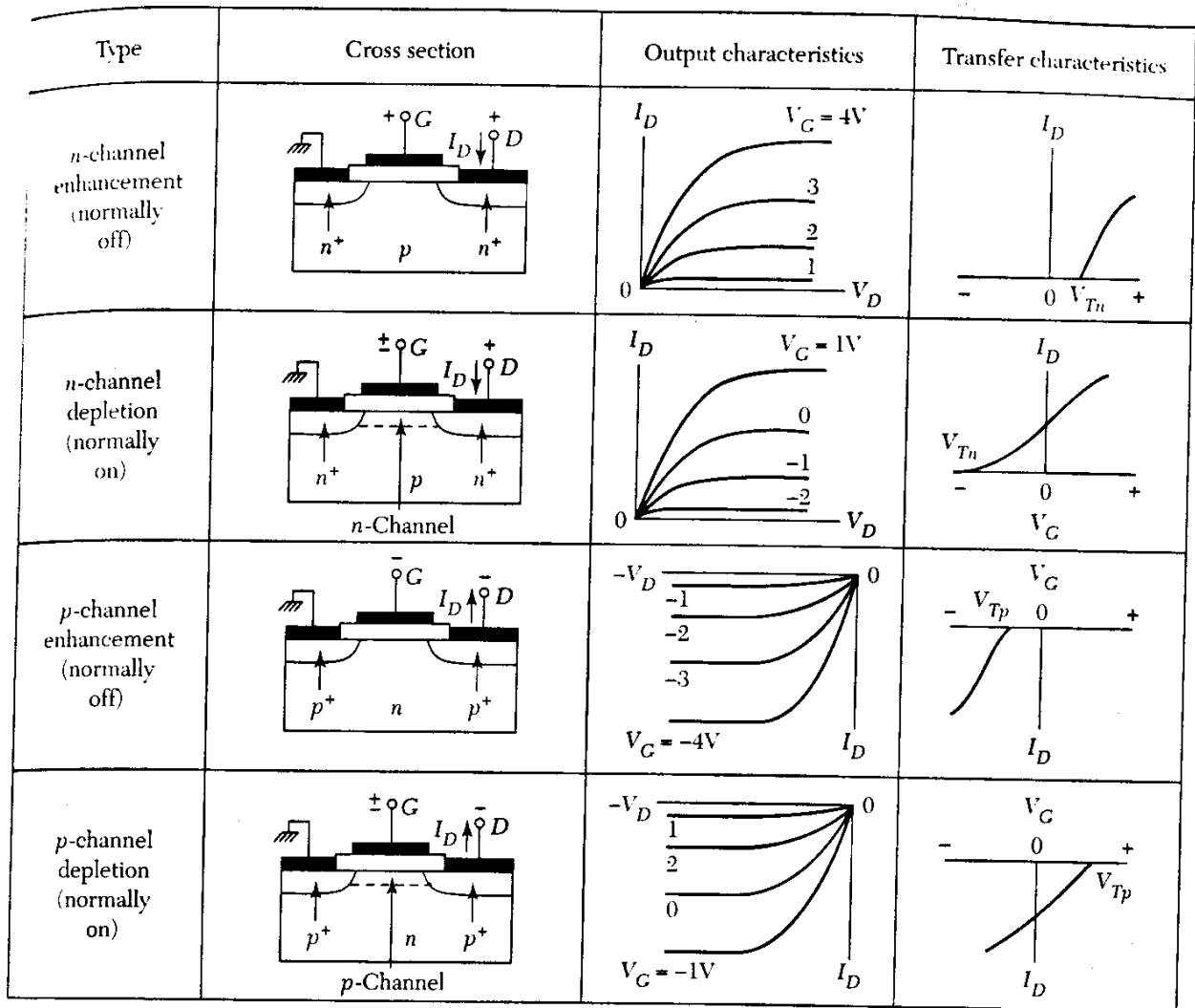


Fig. 19 Cross section, output, and transfer characteristics of four types of MOSFETs.

